

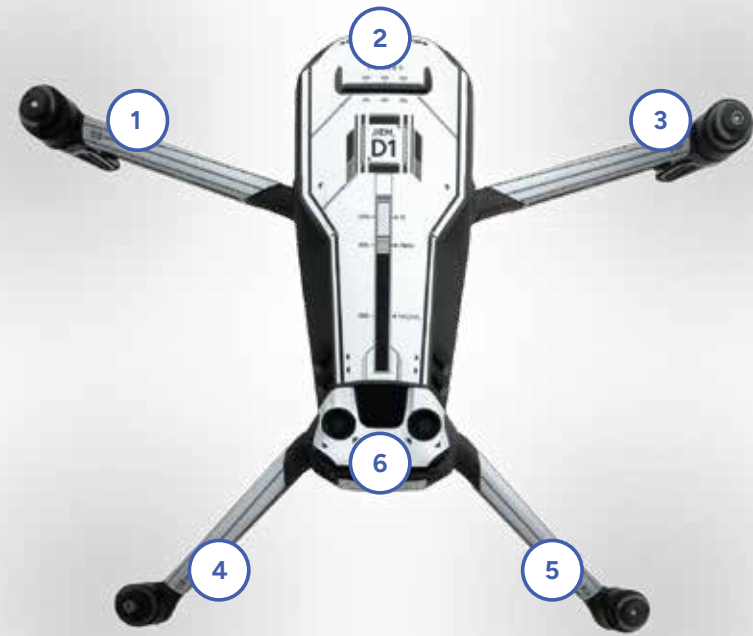
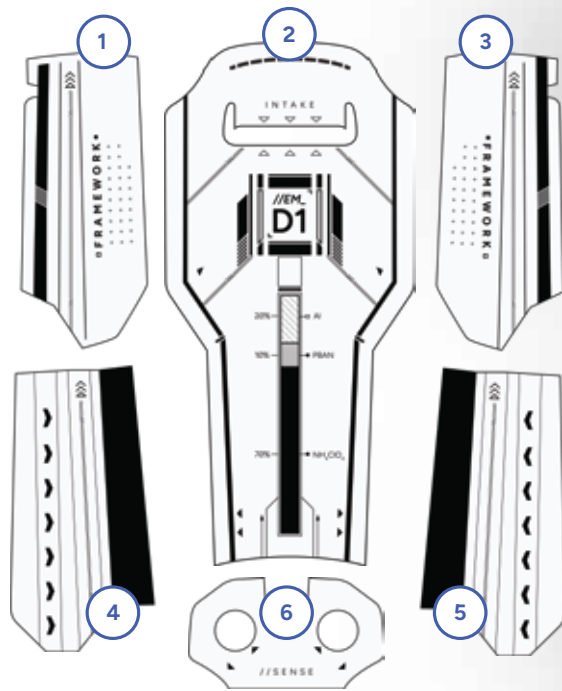
# Applying Your Drone Skin

## Before You Begin:

- Ensure that your drone is clean and free of physical dust and debris
- Wipe down the drone with an alcohol wipe for best results
- Unfold your drone and sit it upon a clean, flat surface

## Tips & Tricks:

When applying the skin, apply gentle heat using a hair dryer or similar source to help the skin mould to the drone's curved edges.



## DJI RC PRO, DJI RC & RC-N1

